

Feature

1. Insulated shaft style
2. Carbon element
3. Wide range of resistance tapers

F-164k Series insulated shaft rotary potentiometer

Electrical characteristics

- Total Resistance.....Single Unit: 500Ω~ 1MΩ,Dual Unit: 2kΩ~ 500kΩ
- Total Resistance Tolerance..... ± 20%
- Resistance Taper.....A,B,C,D
- Rated Voltage.....Linear Taper B:AC 200V Other Tapers : AC 150V
Dual Unit: AC 50V, DC 20V
- Rated Power.....Linear Taper B: 0.125W,Other Tapers :0.06W
Dual Unit; 0.06W
- Sliding Noise.....Less than 100mv
- Insulation Resistance.....More than 100MΩ at DC 250V
- Withstand voltage.....1 minute at AC 250V
- Residual Resistance..... Term.1~2:Less than 20 Ω
Term. 2~3:Less than 20 Ω
- Gang Error(Dual Unit).....-40dB~0dB ± 3dB

Mechanical characteristics

- Total Rotational Angle.....300° ± 5°
- Rotational Torque.....10gf.cm~100gf.cm
- Click Torque.....50gf.cm~250gf.cm
- Rotational Stopper Strength.....6.0kgf.cm Min.
- Push-Pull Strength.....8.0kgf Min

Durability

- Rotational Life.....10,000 Cycles

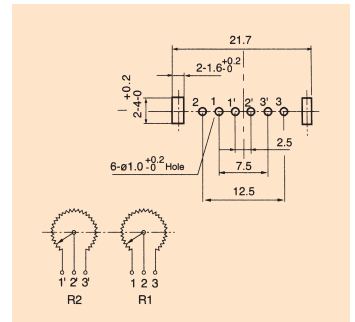
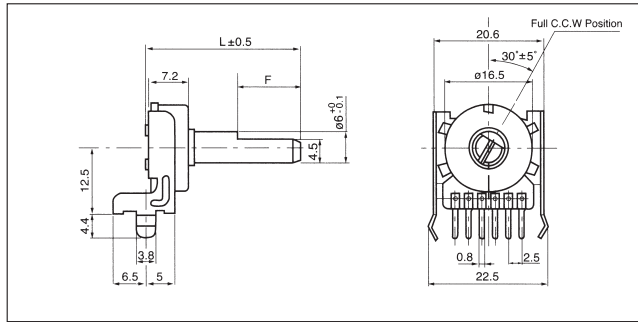
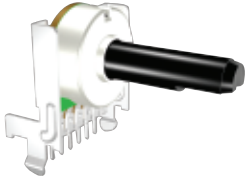


F-164K Series

Snap-In Insulated Shaft Rotary Potentiometer

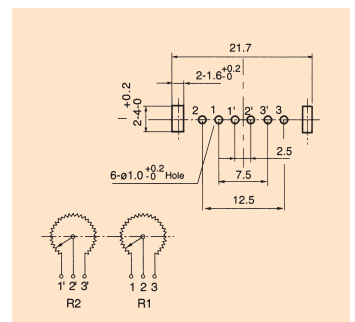
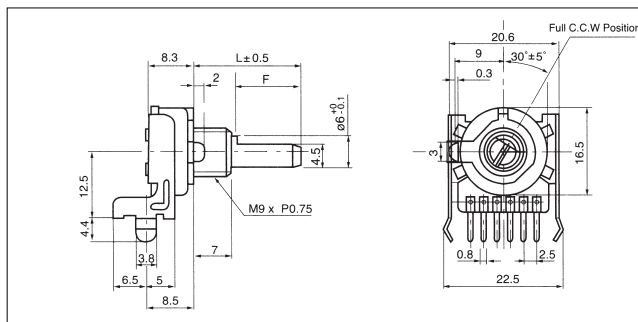
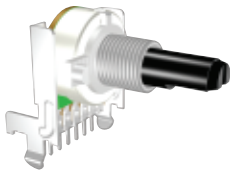
F-164K

Vertical Type, Dual Unit,
P.C.B. Terminal With Center Click



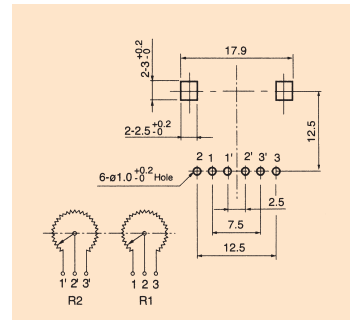
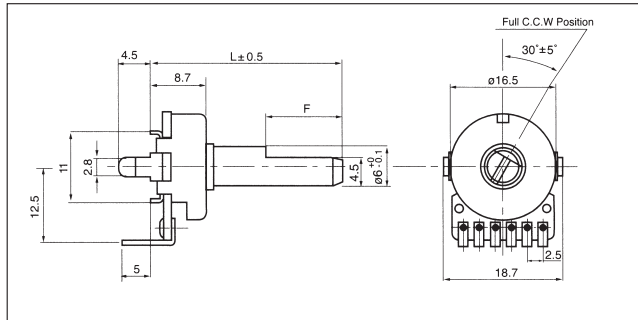
F-164K-1

Vertical Type, Dual Unit,
P.C.B. Terminal With Center Click



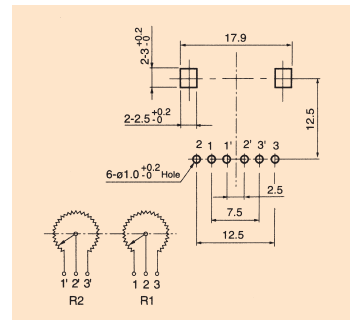
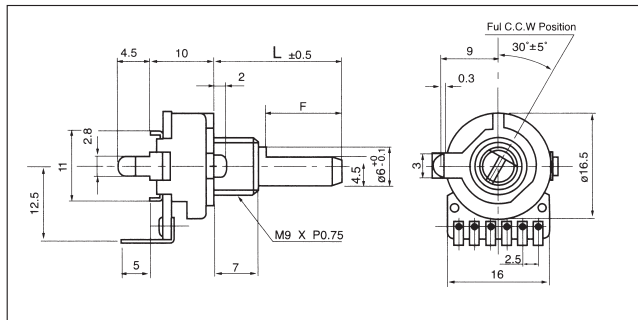
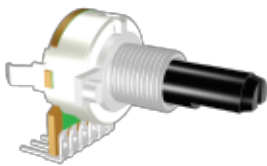
F-164KP

Horizontal Type, Dual Unit,
P.C.B. Terminal With Center Click



F-164KP-1

Horizontal Type, Dual Unit,
P.C.B. Terminal With Center Click



Part number system of insulated shaft potentiometer

